



# Your Automotive Lighting Partner



2007 - 2021

NNS

[www.novavehicle.com](http://www.novavehicle.com)

# ABOUT US

## Our Office



**NOVA Vehicle** is a professional emergency Warning Light Manufacturer and led vehicle lighting supplier, has been specialized in auto light industry over 15 years. We focus on R&D and commit to develop new products that meet market trends and customer's needs.

Our strength is offering the professional whole vehicle lighting solution for trailer and truck, construction vehicles, transport, utilities, agriculture and forestry, marine, manufacturing and etc., building new product line, upgrading your existing product, customizing product with your demands.

## Our Factory



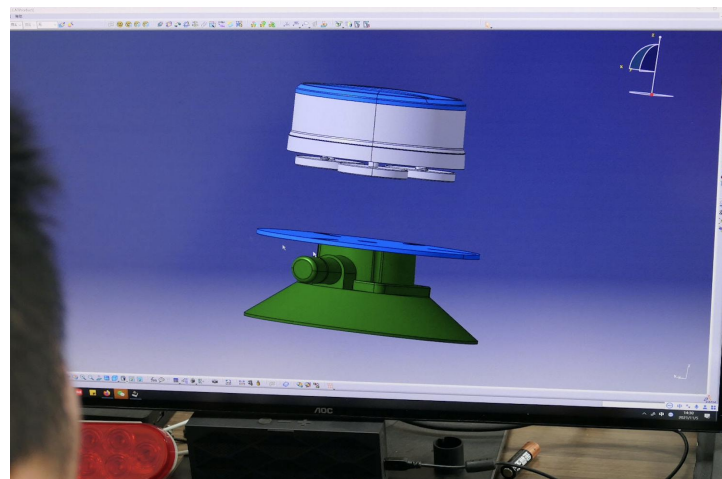
Our main products are warning lights, work lights, tail light, interior lights, Camera and monitor etc..

Our service is offering the right products with professional efficient service, the solution will be delivered within 24hours.

Integrity, a willingness to learn and to better our company, innovation, team work and dedication to client service are the foundations of our corporate values.

---

## Our Production





## Let's Build Great Things Together

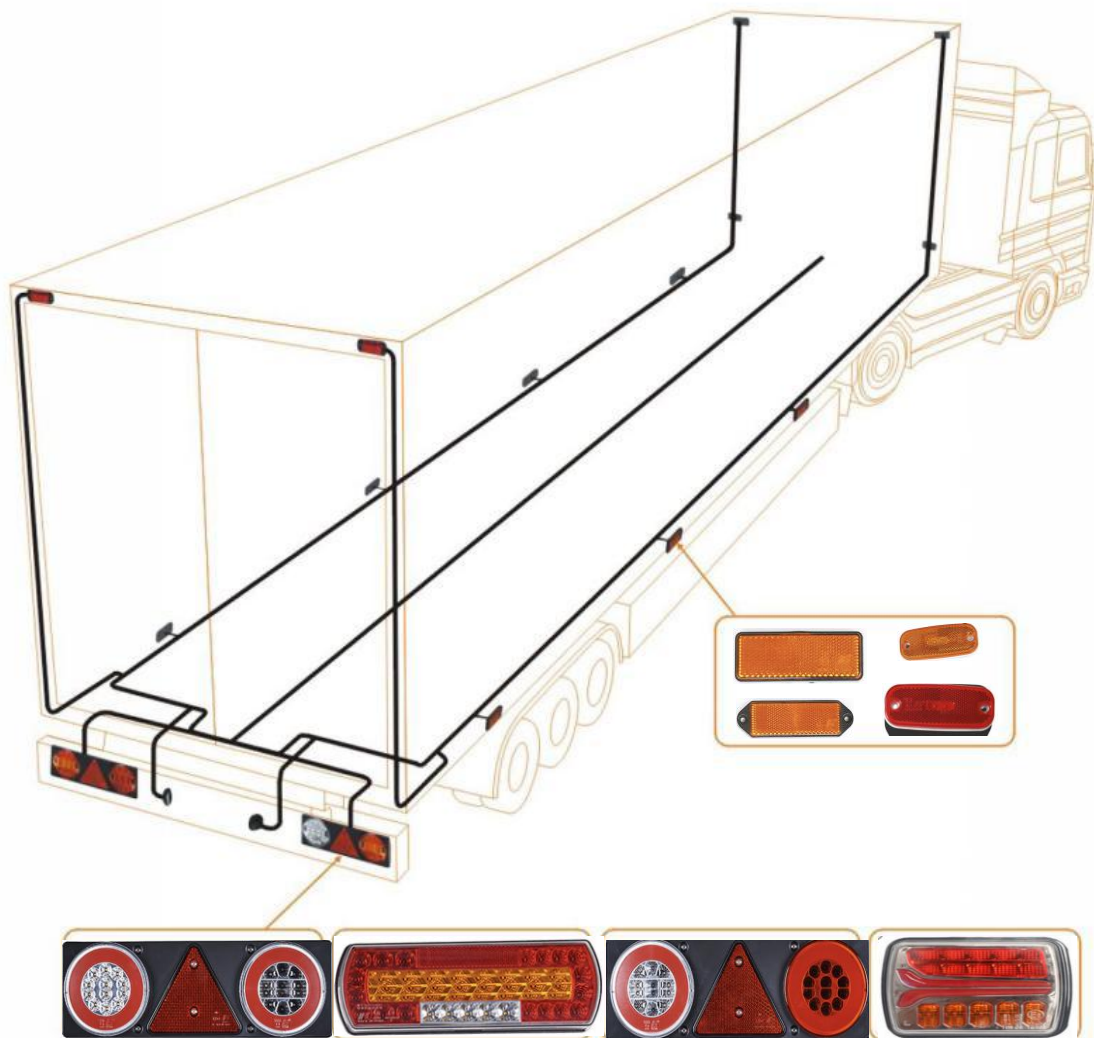


**Serious as regards to the establishment and development of business relationships that truly are mutually-beneficial**



## Comibiation Signal Light

- ✓ Direction light
- ✓ Position light/Tail light
- ✓ Stop light/Brake light
- ✓ Fog light
- ✓ Reverse light





## NS-TL013



## FEATURE

- 5Functions Tail light: Stop, Direction, Indicator, Position, License, Reflector.
- With Pin Connector type, left yellow, Right Green cable
- Each light in one PE bag

## NS-M8



- 2Functions Amber side marker
- Functions: Side marker light and Reflector
- Available with bracket

## NS-M9



- 3Functions end-outline marker light
- Functions: Front end-outline marker light, Rear end-outline marker light, Side marker light

CODE	NS-TL013	NS-M8	NS-M9
Function	5 functions	2functions	3functions
Dimension	106.4*98.8*32.3mm	65*65*23mm	173.5*55.9*115.7mm
IP rate	IP67		
Voltage	12-24V		
Certiifcation	ECE		

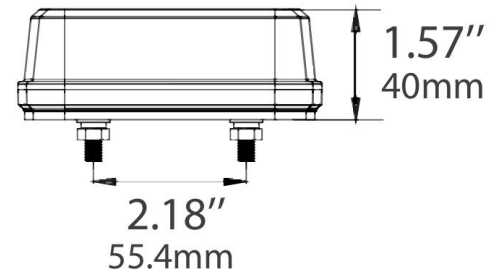
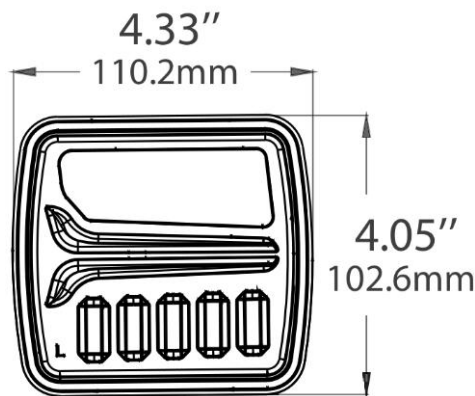
## Trail light

NS-TL001



### FEATURE

- Compact design with multifunctional lamp, popular in Us and Eu market.
- It combine with dynamic direction, stop light, tail light and number plate light
- Compliance with R3 in reflector, R4 in NPL, R6 in direction, R7 in tail/stop light
- Two mounting options, magnetic and screw mount



CODE	NS-TL001	NS-TL001P
Voltage	12-24V	12-24V
Function	Front lamp with position light and dynamic direction function Rear lamp with STT(tail, stop and turning) function	
Mount	Magnet Mount	Screw Mount
Waterproof	IP67	
Certification	ECE R6, R7, R3, R4, Rohs	
Dimension	110x102x40mm	



## Trail light

NS-TL009

## SIGNAL LIGHT



## FEATURE

### Single-functional LED small truck light

- . 10-30V
- . R7, R10 and Rohs approval
- . IP67
- . Embedded mounting with black PVC grommet
- . Dimension, 186x76x26mm

CODE	NS-TL009
Voltage	10-30V
Function	Tail light
Mount	Embedded Mount
Waterproof	IP67
Certification	ECE R10
Dimension	186x76x26mm

## FEATURE

- Classic and popular tail light, with many functions
- Optional bracket, big bowl bracket
- Rated IP67 for dust and water resistance
- Hidden bolt mounting



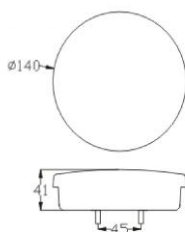
**Tail light**



**Fog light**



**Reverse light**



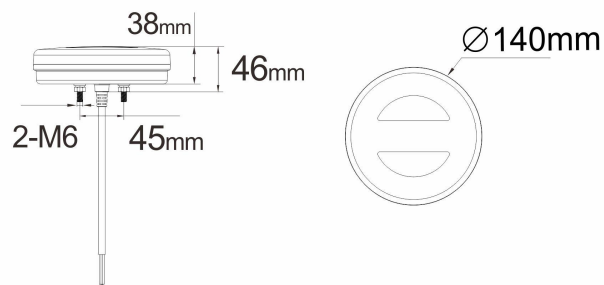
CODE	NS-TL002T	NS-TL002F	NS-TL002R
Function	STT	Fog and Position	Reverse and Position
LED/Power	Turning: 6leds/1.4W Position: 17leds/4.3W Stop: 6leds/1.5W	Fog: 12leds/3.5W Position: 17leds/4.3W	Reverse: 12leds/3.5W Position: 17leds/4.3W
IP rate	IP67		
Voltage	12-24V		
Dimension	140mm diameter		
Certiification	E4 approval		



# SIGNAL LIGHT



**Tail/Reverse**



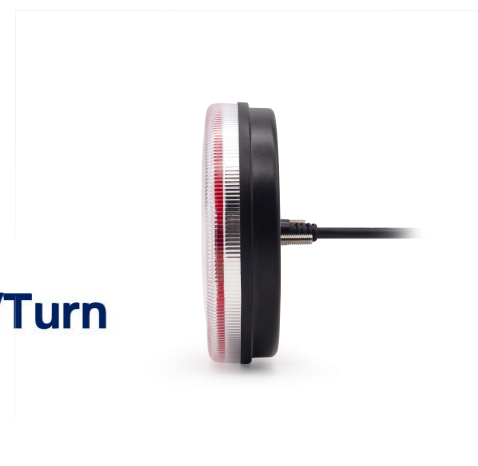
**Tail/Turn**



**Tail/Stop/Reverse**



**Tail/Stop/Turn**



CODE	NS-TL010	NS-TL011E	NS-TL011U
Function	Tail/Stop/Reverse	Tail/Stop/Turn	Tail/Stop/Turn
LED/Power		Tail: 1.2W Stop: 2.2W Dynamic Indicator: 4.4W Reverse: 3.5W	
IP rate		IP67	
Voltage		10-30V	
Dimension		140mm diameter	
Certiification		E9 approval	

# SIGNAL LIGHT

## NS-TL007



## NS-TL005



## NS-TL006



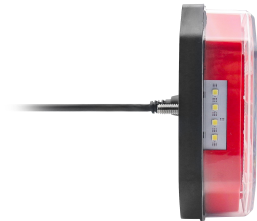
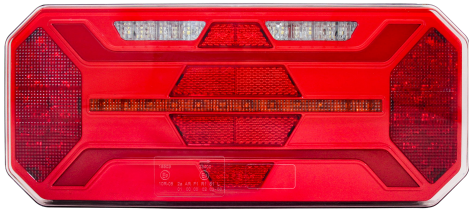
## NS-TL004



CODE	NS-TL004	NS-TL005	NS-TL006	NS-TL007
Voltage	12-24V			
Function	STT, reversing, licence light			
Mount	Screw Mount			
Waterproof	IP67			
Certification	ECE R6, R7, R3, R4, Rohs			
Dimension	227.6x105.8x55mm	282x102x37mm	Φ140x41mm	165x80x35mm

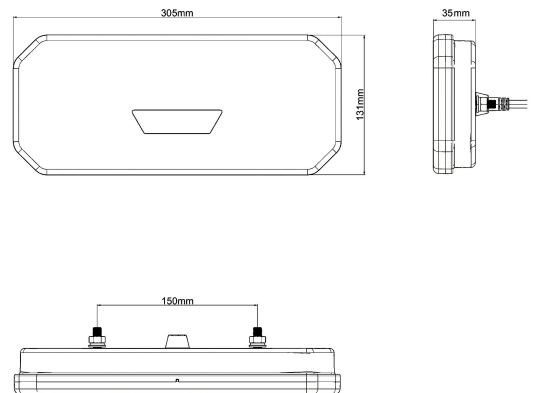


## NS-TL007



## FEATURE

- Multifunctional Rear Combination Light
- 10-30V
- Functions: Dynamic indicator/Stop/Rear position/License/Reflector/Fog/Reverse
- IP67
- ECE R3, R6, R7, R23, R38, R10
- Dimension, 305x140x35mm

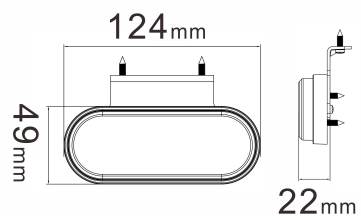


CODE	NS-TL012
Voltage	10-30V
Function	STT, reversing, fog, licence light
Mount	Screw Mount
Waterproof	IP67
Certification	ECE R6, R7, R3, R38, R10
Dimension	305x140x35mm

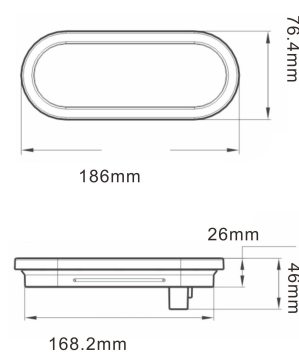


## LED Side Marker

### NS-M7



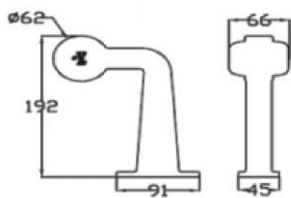
### NS-TL008



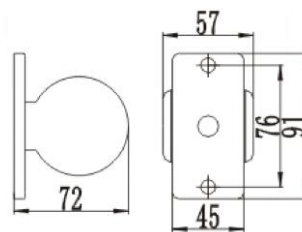
CODE	NS-M7	NS-TL008
Voltage	10-30V	
Function	Position light, Side marker	Tail light, Stop light, Position light and Turning light
Mount	Bracket Mount	Embedded Mount
Waterproof	IP67	
Certification	ECE R7, R3, R91 R10	R7, R10 and Rohs
Dimension	124x49x22mm	186x76x26mm

**LED Side Marker**

**NS-M2**



**NS-M3**



CODE	NS-M2	NS-M3
Voltage	12-24V	
Function	Stalk Light	
Mount	Scretw Mount	
Waterproof	IP67	
Certification	E4	
Dimension	192x91x66mm	91x72x57mm



**LED Side Marker**

**NS-M4**



**NS-M5**



**NS-M1**



CODE	NS-M1	NS-M4	NS-M5
Voltage	12-24V		
Function	Side Marker/Position lamp		
Mount	Scretw Mount/Bracket Mount		
Waterproof	IP67		
Certification	E4		
Dimension	99x42x38mm	95x38x10mm	111x46x16mm

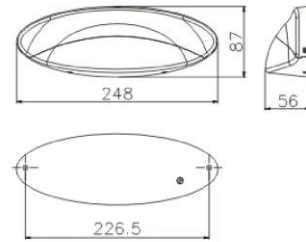
# Auxiliary Light



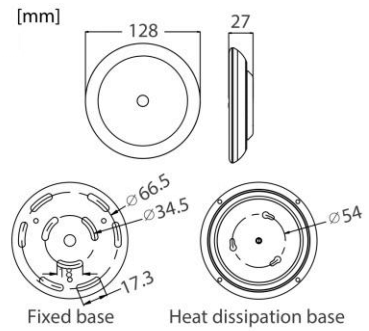
# Interior Light

# AUXILIARY LIGHT

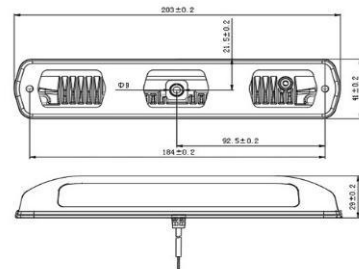
**NA-IT2**



**NA-ILS**



**NW-L6**



CODE	NA-IT2	NS-ILS	NW-L6
Voltage		12-24V	
Function		Interior Light	
Mount		Scretw Mount	
Dimension	248x87x56mm	Φ128x27mm	203x41x29mm



# AUXILIARY LIGHT

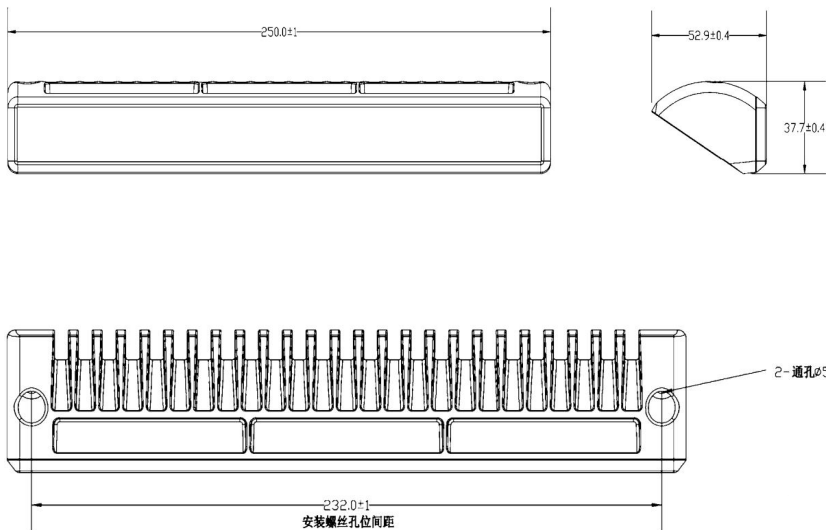
## NW-L9



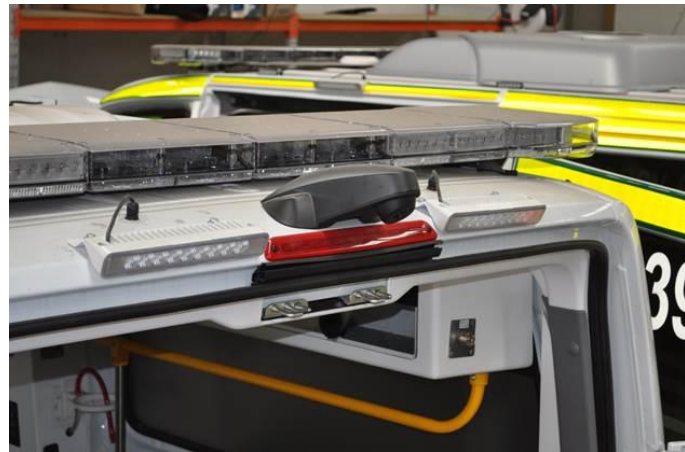
### Specification

1. Powerful LED, be more brighter
2. 10-60V multi-voltage, suit for Bus, heavy duty vehicles
3. Can be bespoked in red and black aluminum housing
4. Side mount, side work light
5. R10 in pending

### Dimension:



### Application:



CODE	Power	LED	Voltage	Lumen	Dimension
NW-L9	27W	9pcs x 3W LED	10-60V	1700lm	250X37.7X52.9MM

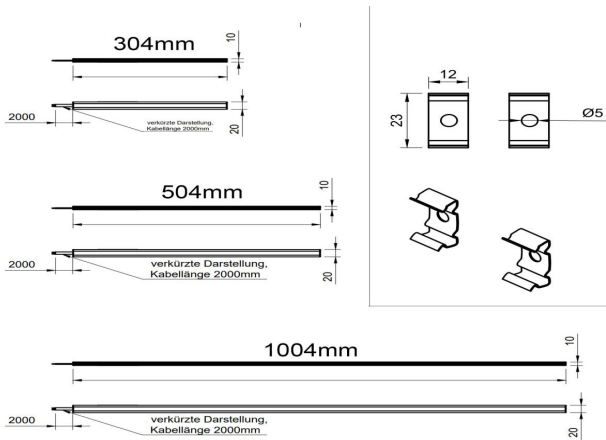
# AUXILIARY LIGHT

## NSL Series



### Application:

### Dimension:



Specification	NSL300C	NSL500C	NSL1000C
Dimension	304x20x10mm	504x20x10mm	1004x20mmx10mm
Luminous	400lm	600lm	1200lm
Light color		4500K, 5000K, 6000K	
LED Chips		SMD2835	
Wattage	Max 4W	Max 6W	Max 12W
Power supply		10-30VDC	
Cable		1 or 2 meters	
Waterproof		IP67	
Accessories		2x stainless steel mounting clips	

## NSLX Series



Clear silicone waterproof or Milky silicone waterproof

PVC base or Aluminum alloy Base

Specification	NSLX200	NSLX500	NSLX700	NSLX1000
Dimension	200 x18.5x11.5mm	500x18.5x11.5mm	700x 18.5x11.5mm	1000x18.5x11.5mm
Light color	4500K, 5000K, 6000K			
LED Chips	SMD5050			
Wattage	3W	8W	12W	17W
Power supply	10-30VDC			
Cable	2 meters			
Waterproof	IP67			
Accessories	2x stainless steel mounting clips			